



dei Fratelli Bianchini

CATALOGO PRODOTTI STANDARD

PRODUCT CATALOGUE

Quality
Experience
Customization



Configurazioni standard
Standard configurations

HCN

Cilindro doppio effetto nudo
Double acting cylinder without ends



HCFA

Cilindro d.e. con fondello forato
D.a. cylinder with end plug hole



HCB

Cilindro d.e. con boccole
D.a. cylinder with bushings



HCSA

Cilindro d.e. con snodi agricoli
D.a. cylinder with agricultural ball joints



HCSI

Cilindro d.e. con snodi industriali
D.a. cylinder with industrial ball joints



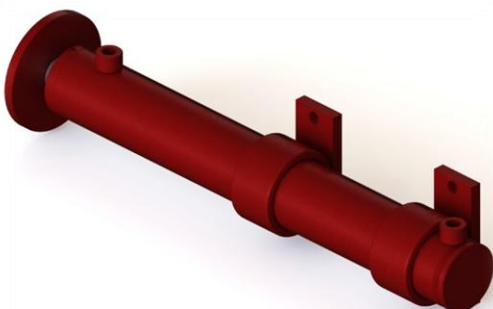
HCFF

Cilindro d.e. con forcelle
D.a. cylinder with forks



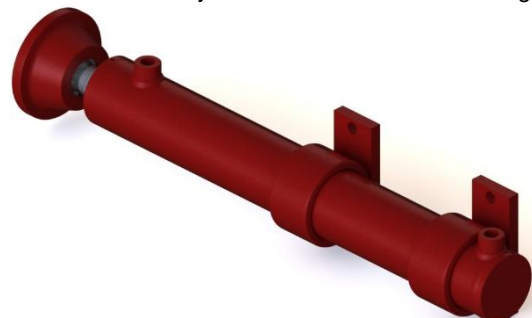
HCPS

Cilindro d.e. stabilizzatore
D.a. cylinder stabilizer



HCPO

Cilindro d.e. stabilizzatore con base oscillante
D.a. cylinder stabilizer with oscillating base

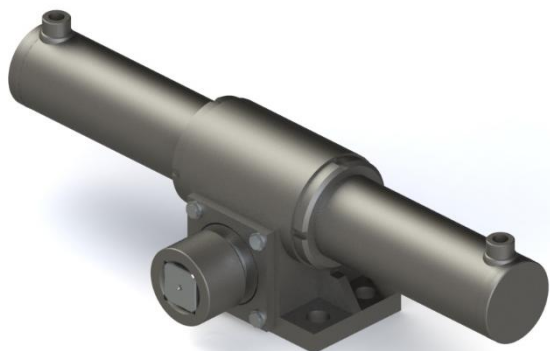




Configurazioni O.F.B srl
O.F.B srl configurations

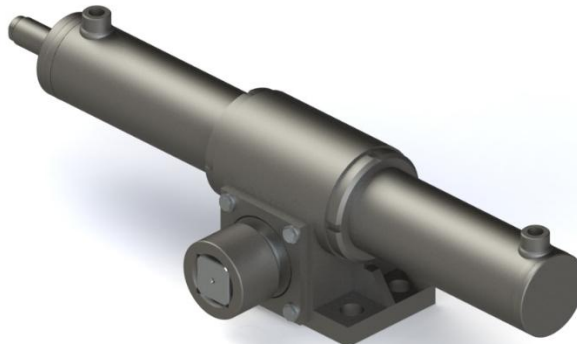
HCA

Cilindro attuatore a cremagliera (270°)
Rack actuator cylinder (270°)



HCAR

Cilindro attuatore a cremagliera regolabile (155/190°)
Adjustable rack actuator cylinder (155/190°)





CARATTERISTICHE

| | |
|------------------------|---|
| Pressione di lavoro | 200 bar |
| Pressione minima | 15 bar |
| Pressione di collaudo | 250 bar |
| Posizione di montaggio | A piacere |
| Temperatura ambiente | -20°C...+80°C. |
| Temperatura del fluido | -20°C...+80°C. |
| Fluido | Olio minerale |
| Viscosità | 12.....90m.m.2 /s |
| Filtraggio | Secondo NAS 1683 |
| Ø Alesaggi disponibili | 32-40-50-60-65-70-80-90-100-110-120-125-140-150 |
| Ø Steli disponibili | 20-25-30-35-40-45-50-55-60-70-80 |
| Velocità massima | 0.5 m/s |

SPECIFICATIONS

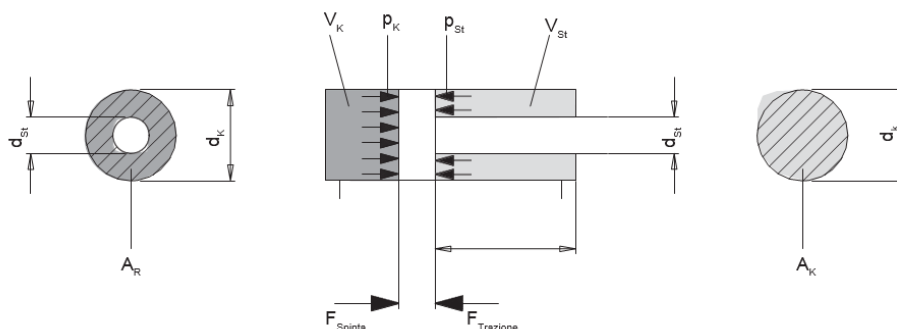
| | |
|---------------------|---|
| Working pressure | 200 bar |
| Min. pressure | 15 bar |
| Test pressure | 250 bar |
| Mounting position | As desired |
| Ambient temperature | -20°C...+80°C. |
| Fluid temperature | -20°C...+80°C. |
| Fluid | Mineral oil |
| Viscosity | 12.....90m.m.2 /s |
| Filtration | Oil contamination NAS 1638 |
| Ø Bore | 32-40-50-60-65-70-80-90-100-110-120-125-140-150 |
| Ø Rod | 20-25-30-35-40-45-50-55-60-70-80 |
| Maximum speed | 0.5 m/s |

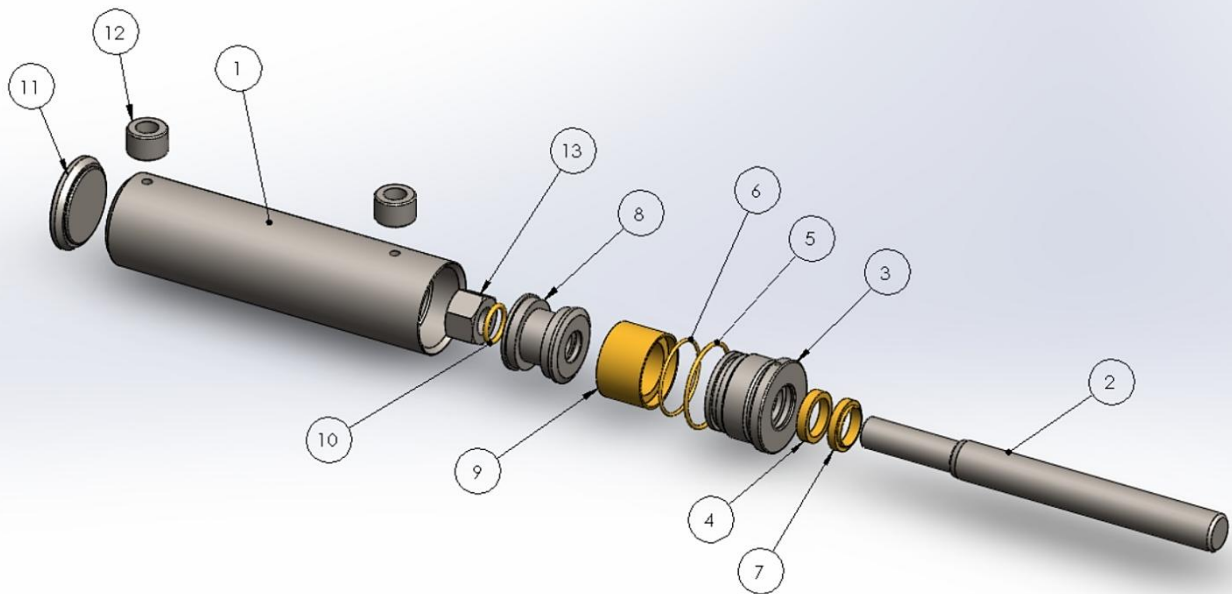


Calcolo forza

Force calculation

$$F_{Spinta/out} [kN] = \frac{p_k[bar] \times \pi \times d_k^2 [cm^2]}{400} \quad F_{Trazione/in} [kN] = \frac{p_{st}[bar] \times \pi \times (d_k^2 - d_{st}^2) [cm^2]}{400}$$

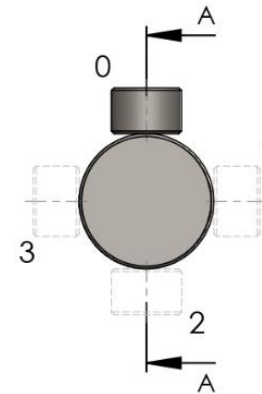
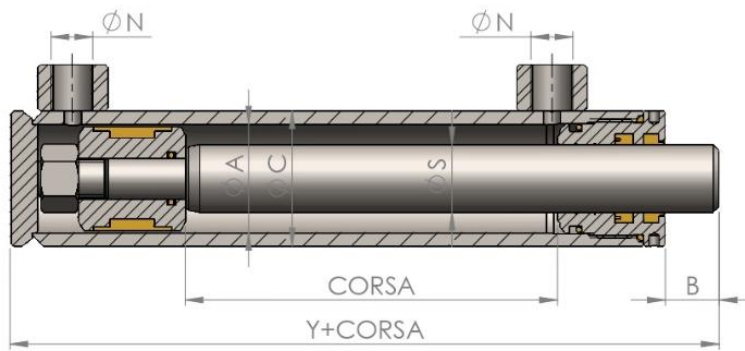




| | | | |
|----|---------------------------|-----------------------|--|
| 1 | <i>Tubo lucido</i> | <i>Polished tube</i> | <i>Acciaio/Steel St. 52.3 ISO H9</i> |
| 2 | <i>Stelo cromato</i> | <i>Chromed rod</i> | <i>Acciaio/Steel UNI C45 25 Micron</i> |
| 3 | <i>Testata di guida</i> | <i>Head bush</i> | <i>Ghisa/Cast iron UNI5007-G25</i> |
| 4 | <i>Guarnizione SD-SDA</i> | <i>Seal SD-SDA</i> | <i>Poliuretano/Polyurethane</i> |
| 5 | <i>Guarnizione O-Ring</i> | <i>O-Ring</i> | <i>NBR 70 shore</i> |
| 6 | <i>Guarnizione O-Ring</i> | <i>O-Ring</i> | <i>NBR 70 shore</i> |
| 7 | <i>Raschiatore SA</i> | <i>Scraper SA</i> | <i>Poliuretano/Polyurethane</i> |
| 8 | <i>Pistone</i> | <i>Piston</i> | <i>Acciaio/Steel 9SMn28</i> |
| 9 | <i>Guarnizione KGD</i> | <i>Seal KGD</i> | <i>NBR-POM-Poliestere/Polyester</i> |
| 10 | <i>Guarnizione O-Ring</i> | <i>O-Ring</i> | <i>NBR 70 shore</i> |
| 11 | <i>Fondello</i> | <i>Caseback</i> | <i>Acciaio/Steel Fe510</i> |
| 12 | <i>Attacco olio</i> | <i>Oil connection</i> | <i>Acciaio/Steel Fe510</i> |
| 13 | <i>Dado</i> | <i>Nut</i> | <i>Acciaio/Steel St. 52.3 ISO H9</i> |

HCN Cilindro doppio effetto nudo

Double acting cylinder without ends



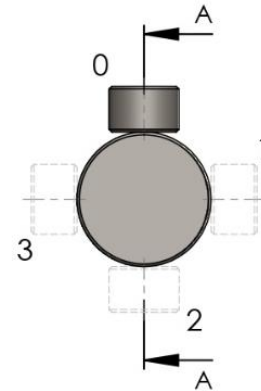
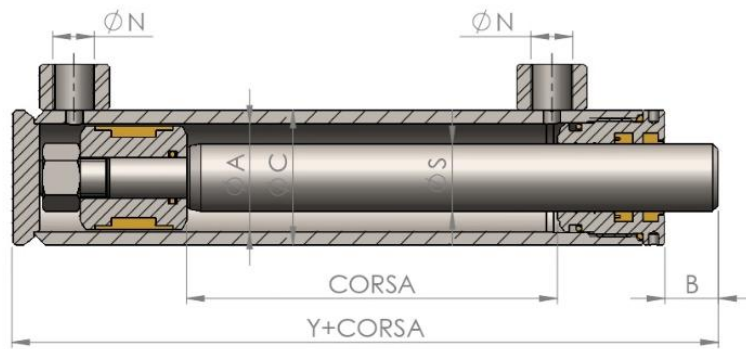
Posizione connessioni
Connection ports position

| CODICE ART.(CORSA) Code Art.(Stroke) | ØA mm | ØS mm | B mm | ØC mm | ØN | Y mm |
|---|------------------------|------------------------|-----------------------|------------------------|-----------|-----------------------|
| HCN032020(...) | 32 | 20 | 20 | 42 | 1/4" | 106 |
| HCN040020(...) | 40 | 20 | 20 | 50 | 3/8" | 125 |
| HCN040025(...) | | 25 | | | | |
| HCN050025(...) | 50 | 25 | 20 | 60 | 3/8" | 131 |
| HCN050030(...) | | 30 | | | | |
| HCN050035(...) | | 35 | | | | |
| HCN060025(...) | 60 | 25 | 20 | 70 | 3/8" | 155 |
| HCN060030(...) | | 30 | | | | |
| HCN060035(...) | | 35 | | | | |
| HCN060040(...) | | 40 | | | | |
| HCN065030(...) | 65 | 30 | 20 | 75 | 3/8" | 157 |
| HCN065035(...) | | 35 | | | | |
| HCN065040(...) | | 40 | | | | |
| HCN070030(...) | 70 | 30 | 20 | 80 | 3/8" | 155 |
| HCN070035(...) | | 35 | | | | |
| HCN070040(...) | | 40 | | | | |
| HCN070045(...) | | 45 | | | | |
| HCN070050(...) | | 50 | | | | |
| HCN080035(...) | 80 | 35 | 20 | 95 | 3/8" | 167 |
| HCN080040(...) | | 40 | | | | |
| HCN080045(...) | | 45 | | | | |
| HCN080050(...) | | 50 | | | | |
| HCN080060(...) | | 60 | | | | |

*O.F.B S.r.l. si riserva il diritto di apportare modifiche: tecniche, materiali, quote dimensionali e forme senza alcun preavviso
*O.F.B S.r.l. reserves the rights to modify: techniques, materials, dimensions and shapes without prior notice

HCN Cilindro doppio effetto nudo

Double acting cylinder without ends



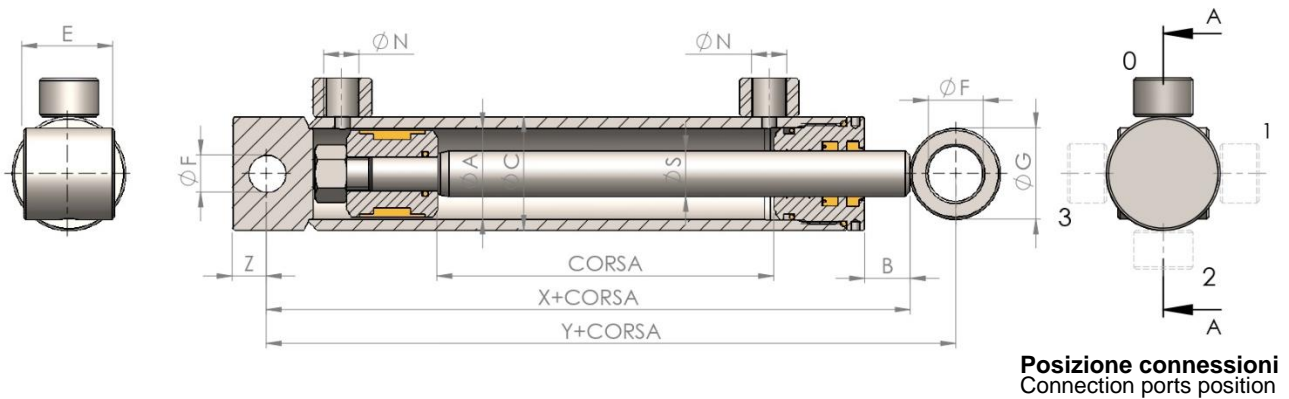
Posizione connessioni
Connection ports position

| CODICE ART.(CORSA) Code Art.(Stroke) | ØA mm | ØS mm | B mm | ØC mm | ØN | Y mm |
|---|----------|----------|---------|----------|------|---------|
| HCN090040(...) | 90 | 40 | 20 | 105 | 3/8" | 172 |
| HCN090045(...) | | 45 | | | | |
| HCN090050(...) | | 50 | | | | |
| HCN090060(...) | | 60 | | | | |
| HCN100040(...) | 100 | 40 | 20 | 115 | 1/2" | 194 |
| HCN100045(...) | | 45 | | | | |
| HCN100050(...) | | 50 | | | | |
| HCN100055(...) | | 55 | | | | |
| HCN100060(...) | | 60 | | | | |
| HCN100070(...) | | 70 | | | | |
| HCN110045(...) | 110 | 45 | 20 | 125 | 1/2" | 187 |
| HCN110050(...) | | 50 | | | | |
| HCN110060(...) | | 60 | | | | |
| HCN110070(...) | | 70 | | | | |
| HCN110080(...) | | 80 | | | | |
| HCN120060(...) | 120 | 60 | 20 | 140 | 1/2" | 200 |
| HCN120070(...) | | 70 | | | | |
| HCN125060(...) | 125 | 60 | 20 | 145 | 1/2" | 210 |
| HCN130070(...) | | 70 | | | | |
| HCN140070(...) | 140 | 70 | 20 | 160 | 1/2" | 218 |
| HCN140080(...) | | 80 | | | | |
| HCN150070(...) | 150 | 70 | 20 | 170 | 1/2" | 230 |
| HCN150080(...) | | 80 | | | | |

*O.F.B S.r.l. si riserva il diritto di apportare modifiche: tecniche, materiali, quote dimensionali e forme senza alcun preavviso
*O.F.B S.r.l. reserves the rights to modify: techniques, materials, dimensions and shapes without prior notice

HCFA Cilindro doppio effetto con fondello forato

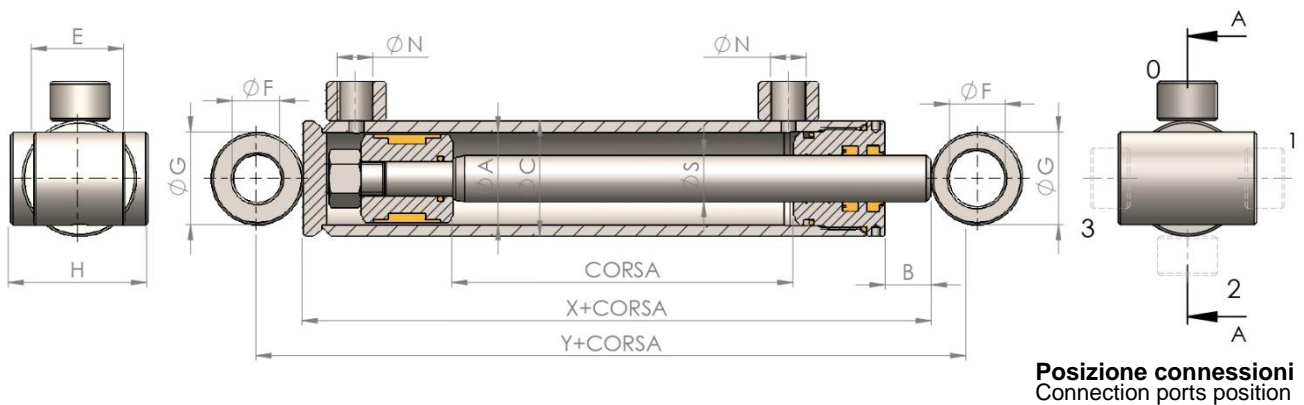
Double acting cylinder with end plug hole



| CODICE ART.(CORSA) Code Art.(Stroke) | ØA mm | ØS mm | B mm | ØC mm | ØN mm | X mm | ØG mm | Z mm | ØF mm | Y mm |
|---|----------|----------|---------|----------|----------|---------|----------|---------|----------|---------|
| HCFA040020.(...) | 40 | 20 | 20 | 50 | 3/8" | 135 | 40 | 15 | 16,3 | 155,0 |
| HCFA040025.(...) | | 25 | | | | | | | | |
| HCFA050025.(...) | 50 | 25 | 20 | 60 | 3/8" | 146 | 50 | 20 | 20,5 | 171,0 |
| HCFA050030.(...) | | 30 | | | | | | | | |
| HCFA050035.(...) | | 35 | | | | | | | | |
| HCFA060025.(...) | 60 | 25 | 20 | 70 | 3/8" | 170,5 | 50 | 22,5 | 25,5 | 195,5 |
| HCFA060030.(...) | | 30 | | | | | | | | |
| HCFA060035.(...) | | 35 | | | | | | | | |
| HCFA060040.(...) | | 40 | | | | | | | | |
| HCFA070030.(...) | 70 | 30 | 20 | 80 | 3/8" | 170,5 | 60 | 22,5 | 30,5 | 200,5 |
| HCFA070035.(...) | | 35 | | | | | | | | |
| HCFA070040.(...) | | 40 | | | | | | | | |
| HCFA070045.(...) | | 45 | | | | | | | | |
| HCFA070050.(...) | | 50 | | | | | | | | |
| HCFA080035.(...) | 80 | 35 | 20 | 95 | 3/8" | 182 | 60 | 33 | 30,5 | 212,0 |
| HCFA080040.(...) | | 40 | | | | | | | | |
| HCFA080045.(...) | | 45 | | | | | | | | |
| HCFA080050.(...) | | 50 | | | | | | | | |
| HCFA080055.(...) | | 55 | | | | | | | | |
| HCFA080060.(...) | | 60 | | | | | | | | |

*O.F.B S.r.l. si riserva il diritto di apportare modifiche: tecniche, materiali, quote dimensionali e forme senza alcun preavviso
*O.F.B S.r.l. reserves the rights to modify: techniques, materials, dimensions and shapes without prior notice

HCB Cilindro doppio effetto con boccole Double acting cylinder with bushings

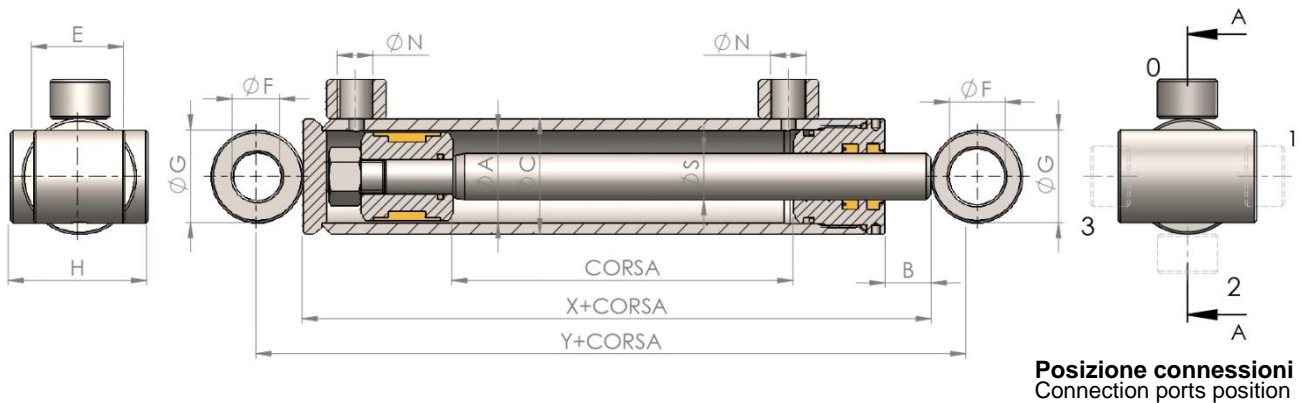


| CODICE ART.(CORSA) Code Art.(Stroke) | ØA mm | ØS mm | B mm | ØC mm | ØN mm | X mm | ØG mm | H mm | E mm | ØF mm | Y mm |
|---|----------|----------|---------|----------|----------|---------|----------|---------|---------|----------|---------|
| HCB032020(...) | 32 | 20 | 20 | 42 | 1/4" | 106 | 40 | 42 | 30 | 20,5 | 146,0 |
| HCB040020(...) | 40 | 20 | 20 | 50 | 3/8" | 125 | 40 | 50 | 30 | 20,5 | 165,0 |
| HCB040025(...) | | 25 | | | | | | | | | |
| HCB050025(...) | 50 | 25 | 20 | 60 | 3/8" | 131 | 50 | 60 | 40 | 25,5 | 181,0 |
| HCB050030(...) | | 30 | | | | | | | | | |
| HCB050035(...) | | 35 | | | | | | | | | |
| HCB060025(...) | 60 | 25 | 20 | 70 | 3/8" | 155 | 50 | 70 | 50 | 30,5 | 205,0 |
| HCB060030(...) | | 30 | | | | | | | | | |
| HCB060035(...) | | 35 | | | | | | | | | |
| HCB060040(...) | | 40 | | | | | | | | | |
| HCB065030(...) | 65 | 30 | 20 | 75 | 3/8" | 157 | 50 | 75 | 60 | 30,5 | 207,0 |
| HCB065035(...) | | 35 | | | | | | | | | |
| HCB065040(...) | | 40 | | | | | | | | | |
| HCB070030(...) | 70 | 30 | 20 | 80 | 3/8" | 155 | 60 | 80 | 60 | 40,5 | 215,0 |
| HCB070035(...) | | 35 | | | | | | | | | |
| HCB070040(...) | | 40 | | | | | | | | | |
| HCB070045(...) | | 45 | | | | | | | | | |
| HCB070050(...) | | 50 | | | | | | | | | |
| HCB080035(...) | 80 | 35 | 20 | 95 | 3/8" | 167 | 60 | 95 | 70 | 40,5 | 227,0 |
| HCB080040(...) | | 40 | | | | | | | | | |
| HCB080045(...) | | 45 | | | | | | | | | |
| HCB080050(...) | | 50 | | | | | | | | | |
| HCB080060(...) | | 60 | | | | | | | | | |

*O.F.B S.r.l. si riserva il diritto di apportare modifiche: tecniche, materiali, quote dimensionali e forme senza alcun preavviso
*O.F.B S.r.l. reserves the rights to modify: techniques, materials, dimensions and shapes without prior notice

HCB Cilindro doppio effetto con boccole

Double acting cylinder with bushings

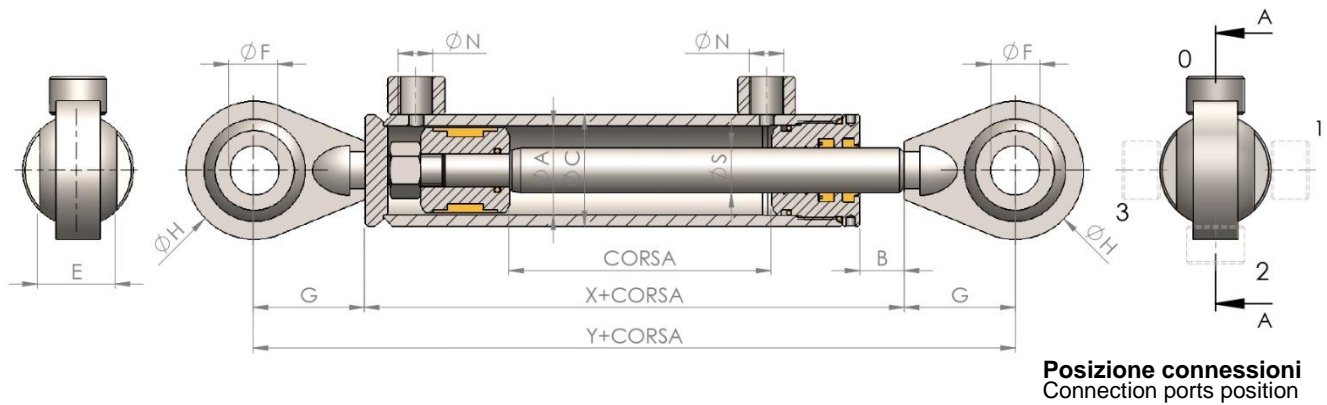


| CODICE ART.(CORSA) Code Art.(Stroke) | ØA mm | ØS mm | B mm | ØC mm | ØN | X mm | ØG mm | H mm | E mm | ØF mm | Y mm | |
|---|----------|----------|---------|----------|------|---------|----------|---------|---------|----------|---------|-------|
| HCB090040(...) | 90 | 40 | 20 | 105 | 3/8" | 172 | 80 | 105 | 70 | 50,5 | 252,0 | |
| HCB090045(...) | | 45 | | | | | | | | | | |
| HCB090050(...) | | 50 | | | | | | | | | | |
| HCB090060(...) | | 60 | | | | | | | | | | |
| HCB100040(...) | 100 | 40 | 20 | 115 | 1/2" | 194 | 80 | 115 | 80 | 50,5 | 274,0 | |
| HCB100045(...) | | 45 | | | | | | | | | | |
| HCB100050(...) | | 50 | | | | | | | | | | |
| HCB100055(...) | | 55 | | | | | | | | | | |
| HCB100060(...) | | 60 | | | | | | | | | | |
| HCB100070(...) | | 70 | | | | | | | | | | |
| HCB110045(...) | 110 | 45 | 20 | 125 | 1/2" | 187 | 80 | 125 | 90 | 50,5 | 267,0 | |
| HCB110050(...) | | 50 | | | | | | | | | | |
| HCB110060(...) | | 60 | | | | 197 | | | | | 277,0 | |
| HCB110070(...) | | 70 | | | | | | | | | | |
| HCB110080(...) | | 80 | | | | | | | | | | |
| HCB120060(...) | 120 | 60 | 20 | 140 | 1/2" | 200 | 80 | 140 | 100 | 50,5 | | 280,0 |
| HCB120070(...) | | 70 | | | | | | | | | | |
| HCB125060(...) | 125 | 60 | 20 | 145 | 1/2" | 210 | 80 | 145 | 100 | 50,5 | 290,0 | |
| HCB125070(...) | | 70 | | | | | | | | | | |
| HCB140070(...) | 140 | 70 | 20 | 160 | 1/2" | 218 | 80 | 160 | 100 | 50,5 | 298,0 | |
| HCB140080(...) | | 80 | | | | | | | | | | |
| HCB150070(...) | 150 | 70 | 20 | 170 | 1/2" | 230 | 80 | 170 | 100 | 50,5 | 310,0 | |
| HCB150080(...) | | 80 | | | | | | | | | | |

*O.F.B S.r.l. si riserva il diritto di apportare modifiche: tecniche, materiali, quote dimensionali e forme senza alcun preavviso
*O.F.B S.r.l. reserves the rights to modify: techniques, materials, dimensions and shapes without prior notice

HCSA Cilindro doppio effetto con snodi agricoli

Double acting cylinder with agricultural ball joints

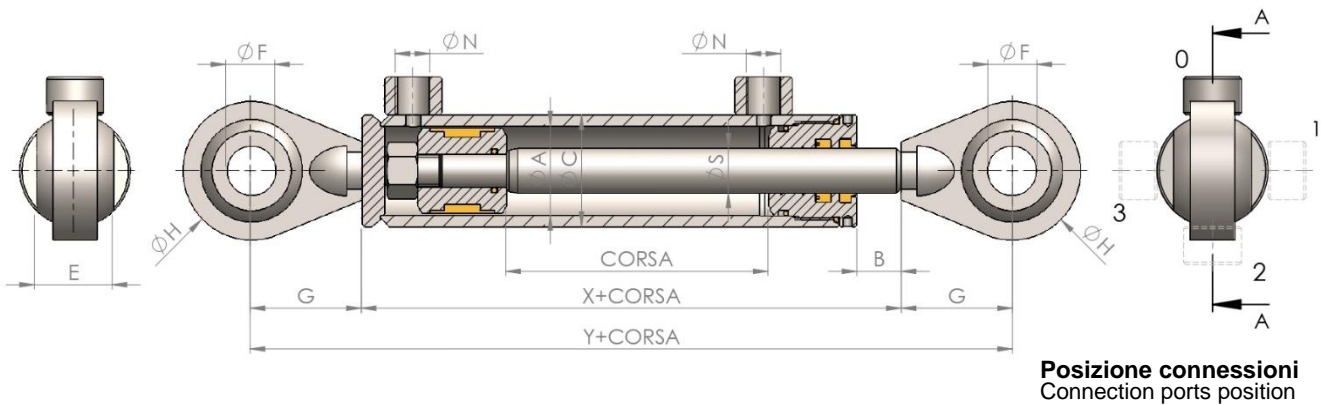


| CODICE ART.(CORSA) Code Art.(Stroke) | ØA mm | ØS mm | B mm | ØC mm | ØN | X mm | ØG mm | ØF mm | E mm | ØH mm | Y mm |
|---|----------|----------|---------|----------|------|---------|----------|----------|---------|----------|---------|
| HCSA032020.(...) | 32 | 20 | 20 | 42 | 1/4" | 106 | 60 | 20,0 | 44 | 62 | 226,0 |
| HCSA040020.(...) | 40 | 20 | 20 | 50 | 3/8" | 125 | 60 | 20,0 | 44 | 62 | 245,0 |
| HCSA040025.(...) | | 25 | | | | | | | | | |
| HCSA050025.(...) | 50 | 25 | 20 | 60 | 3/8" | 131 | 65 | 25,4 | 40 | 75 | 261,0 |
| HCSA050030.(...) | | 30 | | | | | | | | | |
| HCSA050035.(...) | | 35 | | | | | | | | | |
| HCSA060025.(...) | 60 | 25 | 20 | 70 | 3/8" | 155 | 65 | 25,4 | 40 | 75 | 285,0 |
| HCSA060030.(...) | | 30 | | | | | | | | | |
| HCSA060035.(...) | | 35 | | | | | | | | | |
| HCSA060040.(...) | | 40 | | | | | | | | | |
| HCSA065030.(...) | 65 | 30 | 20 | 75 | 3/8" | 157 | 65 | 25,4 | 51 | 75 | 287,0 |
| HCSA065035.(...) | | 35 | | | | | | | | | |
| HCSA065040.(...) | | 40 | | | | | | | | | |
| HCSA070030.(...) | 70 | 30 | 20 | 80 | 3/8" | 155 | 65 | 30,0 | 51 | 75 | 285,0 |
| HCSA070035.(...) | | 35 | | | | | | | | | |
| HCSA070040.(...) | | 40 | | | | | | | | | |
| HCSA070045.(...) | | 45 | | | | | | | | | |
| HCSA070050.(...) | | 50 | | | | | | | | | |
| HCSA080035.(...) | 80 | 35 | 20 | 95 | 3/8" | 167 | 65 | 30,0 | 51 | 75 | 297,0 |
| HCSA080040.(...) | | 40 | | | | | | | | | |
| HCSA080045.(...) | | 45 | | | | | | | | | |
| HCSA080050.(...) | | 50 | | | | | | | | | |
| HCSA080055.(...) | | 55 | | | | | | | | | |
| HCSA080060.(...) | | 60 | | | | | | | | | |

*O.F.B S.r.l. si riserva il diritto di apportare modifiche: tecniche, materiali, quote dimensionali e forme senza alcun preavviso
*O.F.B S.r.l. reserves the rights to modify: techniques, materials, dimensions and shapes without prior notice

HCSA Cilindro doppio effetto con snodi agricoli

Double acting cylinder with agricultural ball joints

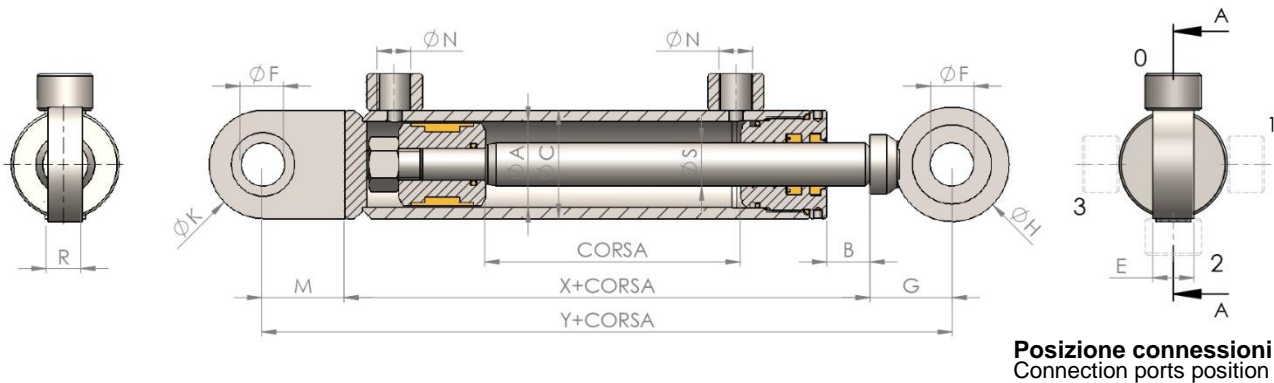


| CODICE ART.(CORSA) Code Art.(Stroke) | ØA mm | ØS mm | B mm | ØC mm | ØN mm | X mm | ØG mm | ØF mm | E mm | ØH mm | Y mm |
|---|----------|----------|---------|----------|----------|---------|----------|----------|---------|----------|---------|
| HCSA090040.(...) | 90 | 40 | 20 | 105 | 3/8" | 172 | 85 | 40,0 | 75 | 108 | 342,0 |
| HCSA090045.(...) | | 45 | | | | | | | | | |
| HCSA090050.(...) | | 50 | | | | | | | | | |
| HCSA090060.(...) | | 60 | | | | | | | | | |
| HCSA100040.(...) | 100 | 40 | 20 | 115 | 1/2" | 194 | 85 | 50,0 | 75 | 108 | 364,0 |
| HCSA100045.(...) | | 45 | | | | | | | | | |
| HCSA100050.(...) | | 50 | | | | | | | | | |
| HCSA100055.(...) | | 55 | | | | | | | | | |
| HCSA100060.(...) | | 60 | | | | | | | | | |
| HCSA100070.(...) | | 70 | | | | | | | | | |
| HCSA110045.(...) | 110 | 45 | 20 | 125 | 1/2" | 187 | 85 | 50,0 | 75 | 108 | 357,0 |
| HCSA110050.(...) | | 50 | | | | | | | | | |
| HCSA110060.(...) | | 60 | | | | 197 | | | | | 367,0 |
| HCSA110070.(...) | | 70 | | | | | | | | | |
| HCSA110080.(...) | | 80 | | | | | | | | | |
| HCSA120060.(...) | 120 | 60 | 20 | 140 | 1/2" | 200 | 85 | 50,0 | 75 | 108 | 370,0 |
| HCSA120070.(...) | | 70 | | | | | | | | | |
| HCSA125060.(...) | 125 | 60 | 20 | 145 | 1/2" | 210 | 85 | 50,0 | 75 | 108 | 380,0 |
| HCSA125070.(...) | | 70 | | | | | | | | | |
| HCSA140070.(...) | 140 | 70 | 20 | 160 | 1/2" | 218 | 85 | 50,0 | 75 | 108 | 388,0 |
| HCSA140080.(...) | | 80 | | | | | | | | | |
| HCSA150070.(...) | 150 | 70 | 20 | 170 | 1/2" | 230 | 85 | 50,0 | 75 | 108 | 400,0 |
| HCSA150080.(...) | | 80 | | | | | | | | | |

*O.F.B S.r.l. si riserva il diritto di apportare modifiche: tecniche, materiali, quote dimensionali e forme senza alcun preavviso
*O.F.B S.r.l. reserves the rights to modify: techniques, materials, dimensions and shapes without prior notice

HCSI Cilindro doppio effetto con snodi industriali

Double acting cylinder with industrial ball joints

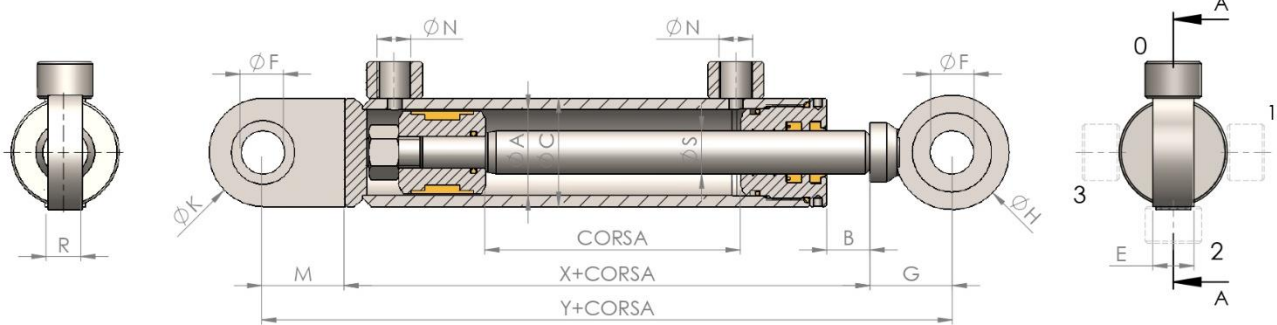


| CODICE ART.(CORSA) Code Art.(Stroke) | ØA mm | ØS mm | B mm | ØC mm | ØN | X mm | G mm | ØF mm | E mm | ØH mm | ØK mm | R mm | M mm | Y mm |
|---|----------|----------|---------|----------|------|---------|---------|----------|---------|----------|----------|---------|---------|---------|
| HCSI032020.(...) | 32 | 20 | 20 | 42 | 1/4" | 106 | 35 | 16,0 | 14 | 46 | 48 | 17,5 | 35 | 176,0 |
| HCSI040020.(...) | 40 | 20 | 20 | 50 | 3/8" | 125 | 38 | 20,0 | 16 | 53 | 50 | 19 | 38 | 201,0 |
| HCSI040025.(...) | | 25 | | | | | | | | | | | | |
| HCSI050025.(...) | 50 | 25 | 20 | 60 | 3/8" | 131 | 38 | 20,0 | 16 | 53 | 50 | 19 | 38 | 207,0 |
| HCSI050030.(...) | | 30 | | | | | | | | | | | | |
| HCSI050035.(...) | | 35 | | | | | | | | | | | | |
| HCSI060025.(...) | 60 | 25 | 20 | 70 | 3/8" | 155 | 45 | 25,0 | 20 | 64 | 55 | 23 | 45 | 245,0 |
| HCSI060030.(...) | | 30 | | | | | | | | | | | | |
| HCSI060035.(...) | | 35 | | | | | | | | | | | | |
| HCSI060040.(...) | | 40 | | | | | | | | | | | | |
| HCSI065030.(...) | 65 | 30 | 20 | 75 | 3/8" | 157 | 45 | 25,0 | 20 | 64 | 55 | 23 | 45 | 247,0 |
| HCSI065035.(...) | | 35 | | | | | | | | | | | | |
| HCSI065040.(...) | | 40 | | | | | | | | | | | | |
| HCSI070030.(...) | 70 | 30 | 20 | 80 | 3/8" | 155 | 45 | 25,0 | 20 | 64 | 55 | 23 | 45 | 245,0 |
| HCSI070035.(...) | | 35 | | | | | | | | | | | | |
| HCSI070040.(...) | | 40 | | | | | | | | | | | | |
| HCSI070045.(...) | | 45 | | | | | | | | | | | | |
| HCSI070050.(...) | | 50 | | | | | | | | | | | | |
| HCSI080035.(...) | 80 | 35 | 20 | 95 | 3/8" | 167 | 51 | 30,0 | 22 | 73 | 65 | 28 | 51 | 269,0 |
| HCSI080040.(...) | | 40 | | | | | | | | | | | | |
| HCSI080045.(...) | | 45 | | | | | | | | | | | | |
| HCSI080050.(...) | | 50 | | | | | | | | | | | | |
| HCSI080060.(...) | | 60 | | | | | | | | | | | | |

*O.F.B S.r.l. si riserva il diritto di apportare modifiche: tecniche, materiali, quote dimensionali e forme senza alcun preavviso
*O.F.B S.r.l. reserves the rights to modify: techniques, materials, dimensions and shapes without prior notice

HCSI Cilindro doppio effetto con snodi industriali

Double acting cylinder with industrial ball joints



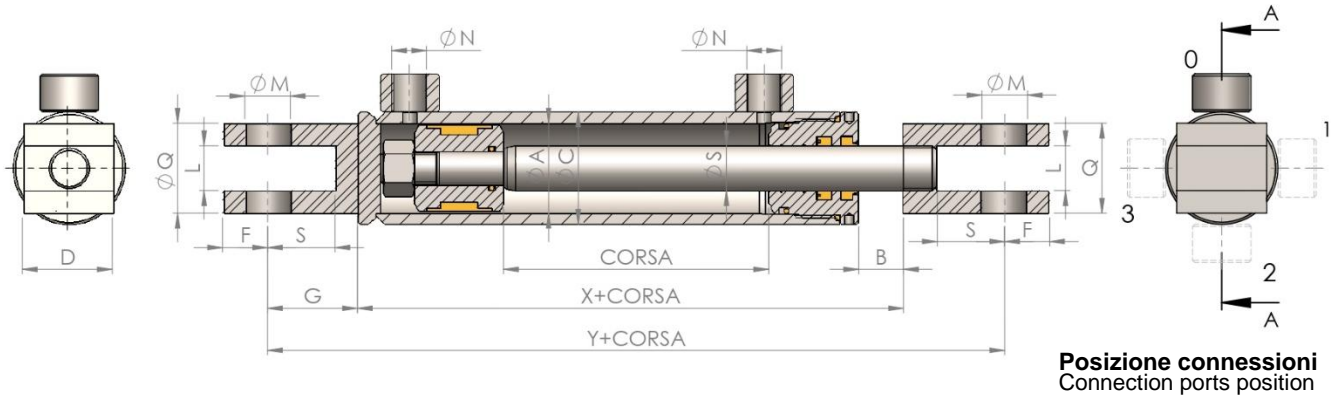
Posizione connessioni
Connection ports position

| CODICE ART.(CORSA) Code Art.(Stroke) | ØA mm | ØS mm | B mm | ØC mm | ØN | X mm | G mm | ØF mm | E mm | ØH mm | ØK mm | R mm | M mm | Y mm |
|---|----------|----------|---------|----------|------|---------|---------|----------|---------|----------|----------|---------|---------|---------|
| HCSI090040.(...) | 90 | 40 | 20 | 105 | 3/8" | 172 | 69 | 40,0 | 28 | 92 | 100 | 35 | 69 | 310,0 |
| HCSI090045.(...) | | 45 | | | | | | | | | | | | |
| HCSI090050.(...) | | 50 | | | | | | | | | | | | |
| HCSI090060.(...) | | 60 | | | | | | | | | | | | |
| HCSI100040.(...) | 100 | 40 | 20 | 115 | 1/2" | 194 | 69 | 40,0 | 28 | 92 | 100 | 35 | 69 | 332,0 |
| HCSI100045.(...) | | 45 | | | | | | | | | | | | |
| HCSI100050.(...) | | 50 | | | | | | | | | | | | |
| HCSI100055.(...) | | 55 | | | | | | | | | | | | |
| HCSI100060.(...) | | 60 | | | | | | | | | | | | |
| HCSI100070.(...) | | 70 | | | | | | | | | | | | |
| HCSI110045.(...) | 110 | 45 | 20 | 125 | 1/2" | 187 | 88 | 50,0 | 35 | 112 | 123 | 40 | 88 | 363,0 |
| HCSI110050.(...) | | 50 | | | | | | | | | | | | |
| HCSI110060.(...) | | 60 | | | | | | | | | | | | |
| HCSI110070.(...) | | 70 | | | | | | | | | | | | |
| HCSI110080.(...) | | 80 | | | | | | | | | | | | |
| HCSI120060.(...) | 120 | 60 | 20 | 140 | 1/2" | 200 | 88 | 50,0 | 35 | 112 | 123 | 40 | 88 | 376,0 |
| HCSI120070.(...) | | 70 | | | | | | | | | | | | |
| HCSI125060.(...) | 125 | 60 | 20 | 145 | 1/2" | 210 | 88 | 50,0 | 35 | 112 | 123 | 40 | 88 | 386,0 |
| HCSI125070.(...) | | 70 | | | | | | | | | | | | |
| HCSI140070.(...) | 140 | 70 | 20 | 160 | 1/2" | 218 | 88 | 50,0 | 35 | 112 | 123 | 40 | 88 | 394,0 |
| HCSI140080.(...) | | 80 | | | | | | | | | | | | |
| HCSI150070.(...) | 150 | 70 | 20 | 170 | 1/2" | 230 | 88 | 50,0 | 35 | 112 | 123 | 40 | 88 | 406,0 |
| HCSI150080.(...) | | 80 | | | | | | | | | | | | |

*O.F.B S.r.l. si riserva il diritto di apportare modifiche: tecniche, materiali, quote dimensionali e forme senza alcun preavviso
*O.F.B S.r.l. reserves the rights to modify: techniques, materials, dimensions and shapes without prior notice

HCFF Cilindro doppio effetto con forcelle

Double acting cylinder with forks

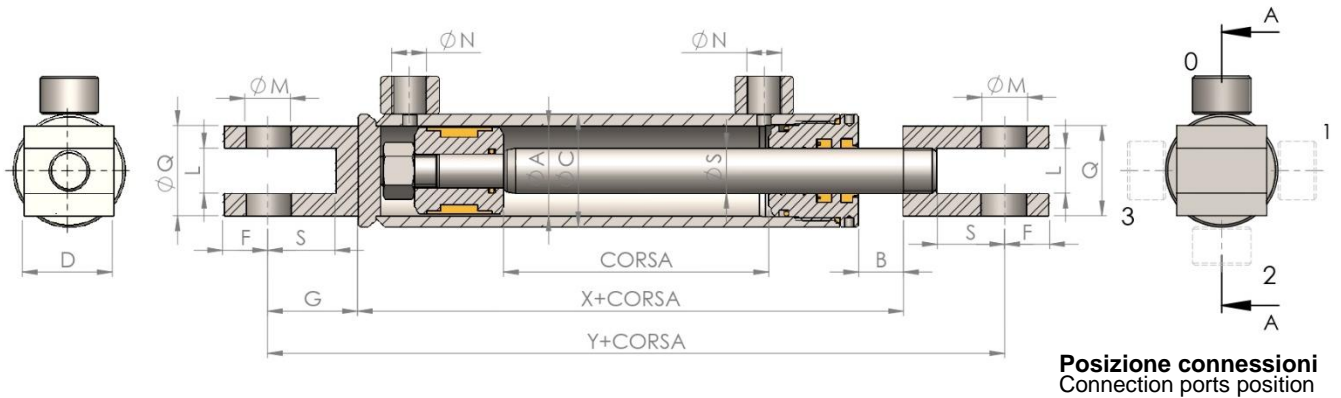


| CODICE ART.(CORSA) Code Art.(Stroke) | ØA mm | ØS mm | B mm | ØC mm | ØN | X mm | G mm | F mm | D mm | L mm | Q mm | S mm | ØM mm | Y mm |
|---|----------|----------|---------|----------|------|---------|---------|---------|---------|---------|---------|---------|----------|---------|
| HCFF032020.(...) | 32 | 20 | 20 | 42 | 1/4" | 106 | 40 | 20 | 40 | 20 | 40 | 30 | 20,25 | 191,0 |
| HCFF040020.(...) | 40 | 20 | 20 | 50 | 3/8" | 125 | 40 | 20 | 40 | 20 | 40 | 30 | 20,25 | 210,0 |
| HCFF040025.(...) | | 25 | | | | | | | | | | | | |
| HCFF050025.(...) | 50 | 25 | 20 | 60 | 3/8" | 131 | 45 | 20 | 50 | 25 | 50 | 30 | 25,25 | 226,0 |
| HCFF050030.(...) | | 30 | | | | | | | | | | | | |
| HCFF050035.(...) | | 35 | | | | | | | | | | | | |
| HCFF060025.(...) | 60 | 25 | 20 | 70 | 3/8" | 155 | 45 | 20 | 50 | 25 | 50 | 30 | 25,25 | 250,0 |
| HCFF060030.(...) | | 30 | | | | | | | | | | | | |
| HCFF060035.(...) | | 35 | | | | | | | | | | | | |
| HCFF060040.(...) | | 40 | | | | | | | | | | | | |
| HCFF065030.(...) | 65 | 30 | 20 | 75 | 3/8" | 157 | 45 | 20 | 50 | 25 | 50 | 30 | 25,25 | 252,0 |
| HCFF065035.(...) | | 35 | | | | | | | | | | | | |
| HCFF065040.(...) | | 40 | | | | | | | | | | | | |
| HCFF070030.(...) | 70 | 30 | 20 | 80 | 3/8" | 155 | 50 | 25 | 60 | 30 | 60 | 35 | 30,25 | 270,0 |
| HCFF070035.(...) | | 35 | | | | | | | | | | | | |
| HCFF070040.(...) | | 40 | | | | | | | | | | | | |
| HCFF070045.(...) | | 45 | | | | | | | | | | | | |
| HCFF070050.(...) | | 50 | | | | | | | | | | | | |
| HCFF080035.(...) | 80 | 35 | 20 | 95 | 3/8" | 167 | 50 | 25 | 60 | 30 | 60 | 35 | 30,25 | 282,0 |
| HCFF080040.(...) | | 40 | | | | | | | | | | | | |
| HCFF080045.(...) | | 45 | | | | | | | | | | | | |
| HCFF080050.(...) | | 50 | | | | | | | | | | | | |
| HCFF080055.(...) | | 55 | | | | | | | | | | | | |
| HCFF080060.(...) | | 60 | | | | | | | | | | | | |

*O.F.B S.r.l. si riserva il diritto di apportare modifiche: tecniche, materiali, quote dimensionali e forme senza alcun preavviso
*O.F.B S.r.l. reserves the rights to modify: techniques, materials, dimensions and shapes without prior notice

HCFF Cilindro doppio effetto con forcelle

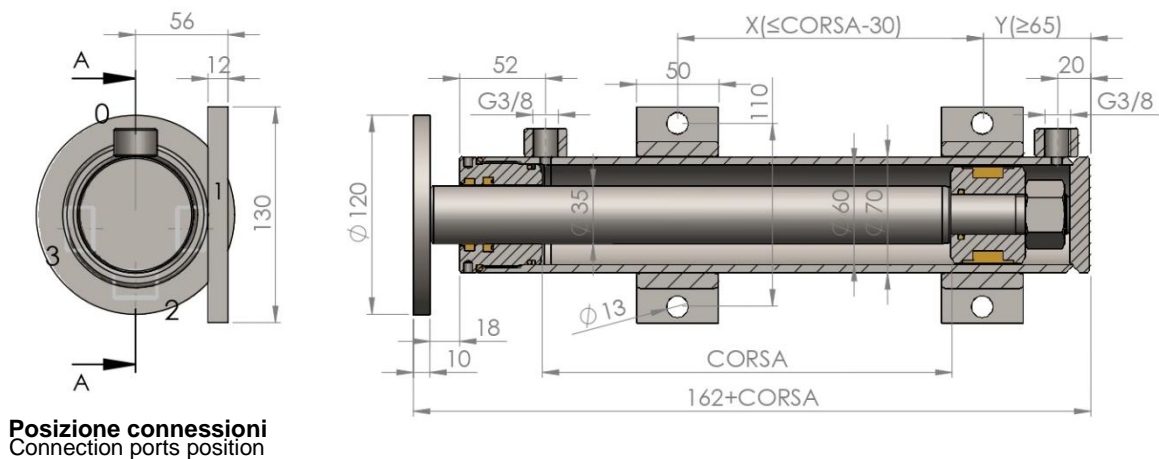
Double acting cylinder with forks



| CODICE ART.(CORSA) Code Art.(Stroke) | ØA mm | ØS mm | B mm | ØC mm | ØN | X mm | G mm | F mm | D mm | L mm | Q mm | S mm | ØM mm | Y mm |
|---|----------|----------|---------|----------|------|---------|---------|---------|---------|---------|---------|---------|----------|---------|
| HCFF090040(...) | 90 | 40 | 20 | 105 | 3/8" | 172 | 55 | 30 | 70 | 35 | 70 | 40 | 35,25 | 302,0 |
| HCFF090045(...) | | 45 | | | | | | | | | | | | |
| HCFF090050(...) | | 50 | | | | | | | | | | | | |
| HCFF090060(...) | | 60 | | | | | | | | | | | | |
| HCFF100040(...) | 100 | 40 | 20 | 115 | 1/2" | 194 | 97 | 50 | 80 | 40 | 90 | 52 | 40,00 | 388,0 |
| HCFF100045(...) | | 45 | | | | | | | | | | | | |
| HCFF100050(...) | | 50 | | | | | | | | | | | | |
| HCFF100055(...) | | 55 | | | | | | | | | | | | |
| HCFF100060(...) | | 60 | | | | | | | | | | | | |
| HCFF100070(...) | | 70 | | | | | | | | | | | | |
| HCFF110045(...) | 110 | 45 | 20 | 125 | 1/2" | 187 | 120 | 63 | 100 | 50 | 110 | 64 | 50,00 | 427,0 |
| HCFF110050(...) | | 50 | | | | | | | | | | | | |
| HCFF110060(...) | | 60 | | | | | | | | | | | | |
| HCFF110070(...) | | 70 | | | | | | | | | | | | |
| HCFF110080(...) | | 80 | | | | | | | | | | | | |
| HCFF120060(...) | 120 | 60 | 20 | 140 | 1/2" | 200 | 120 | 63 | 100 | 50 | 110 | 64 | 50,00 | 440,0 |
| HCFF120070(...) | | 70 | | | | | | | | | | | | |
| HCFF125060(...) | 125 | 60 | 20 | 145 | 1/2" | 210 | 120 | 63 | 100 | 50 | 110 | 64 | 50,00 | 450,0 |
| HCFF125070(...) | | 70 | | | | | | | | | | | | |
| HCFF140070(...) | 140 | 70 | 20 | 160 | 1/2" | 218 | 120 | 63 | 100 | 50 | 110 | 64 | 50,00 | 458,0 |
| HCFF140080(...) | | 80 | | | | | | | | | | | | |
| HCFF150070(...) | 150 | 70 | 20 | 170 | 1/2" | 230 | 120 | 63 | 100 | 50 | 110 | 64 | 50,00 | 470,0 |
| HCFF150080(...) | | 80 | | | | | | | | | | | | |

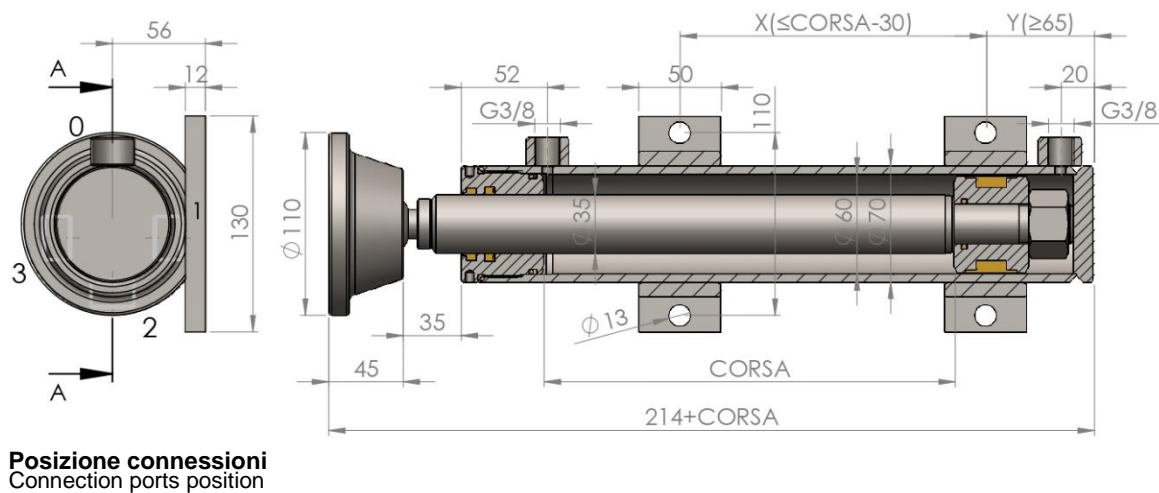
*O.F.B S.r.l. si riserva il diritto di apportare modifiche: tecniche, materiali, quote dimensionali e forme senza alcun preavviso
*O.F.B S.r.l. reserves the rights to modify: techniques, materials, dimensions and shapes without prior notice

HCPS Cilindro doppio effetto stabilizzatore Double acting cylinder stabilizer



| CODICE ART.(CORSA).(X).(Y) Code Art.(Stroke).(X).(Y) | ØA mm | ØS mm | B mm | ØC mm | ØN | X mm | Y mm |
|---|----------|----------|---------|----------|------|---|---------------------------------|
| HCPS060035.(...).(...) | 60 | 35 | 18 | 70 | 3/8" | Variabile (≤CORSA-30) Variable (≤Stoke-30) | Variabile(≥65) Variable(≥65) |

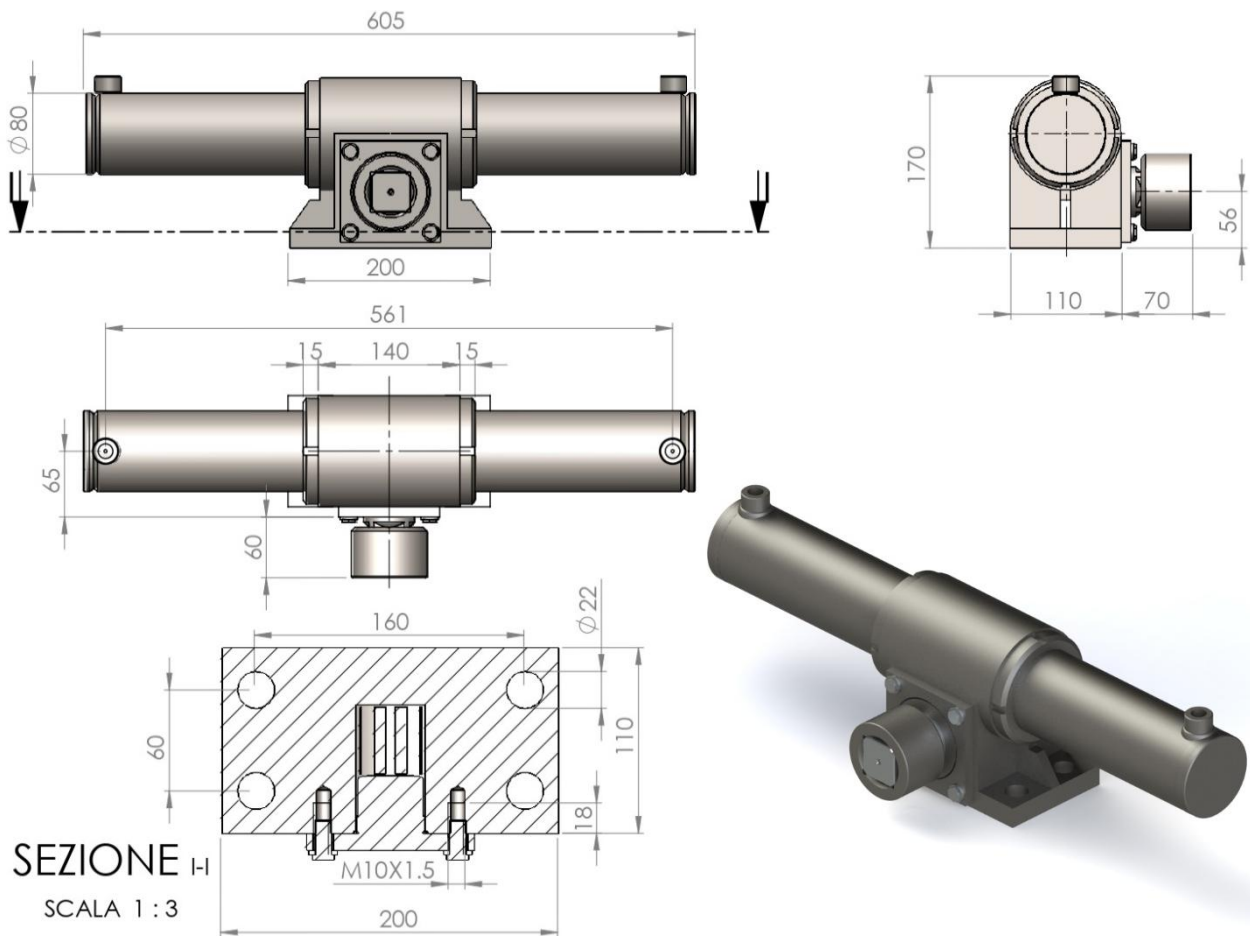
HCPO Cilindro doppio effetto stabilizzatore con base Double acting cylinder stabilizer with oscillating base



| CODICE ART.(CORSA).(X).(Y) Code Art.(Stroke).(X).(Y) | ØA mm | ØS mm | B mm | ØC mm | ØN | X mm | Y mm |
|---|----------|----------|---------|----------|------|---|---------------------------------|
| HCPO060035.(...).(...) | 60 | 35 | 18 | 70 | 3/8" | Variabile (≤CORSA-30) Variable (≤Stoke-30) | Variabile(≥65) Variable(≥65) |

*O.F.B S.r.l. si riserva il diritto di apportare modifiche: tecniche, materiali, quote dimensionali e forme senza alcun preavviso
*O.F.B S.r.l. reserves the rights to modify: techniques, materials, dimensions and shapes without prior notice

HCA Cilindro attuatore a cremagliera(270°) Rack actuator cylinder (270°)



Specifiche tecniche

| | |
|-------------------------------------|-------|
| Alesaggio [mm] | 70 |
| Corsa specifica [mm] (1) | 0,76 |
| Coppia massima di lavoro [daNm] | 226,2 |
| Pressione di lavoro [bar] | 110 |
| Pressione di punta [bar] | 150 |
| Coefficiente di sicurezza richiesto | 3 |
| Velocità max di rotazione [rad/sec] | 12,5 |
| Peso [kg] | 27,5 |

(1) Corsa specifica per ogni grado di rotazione.

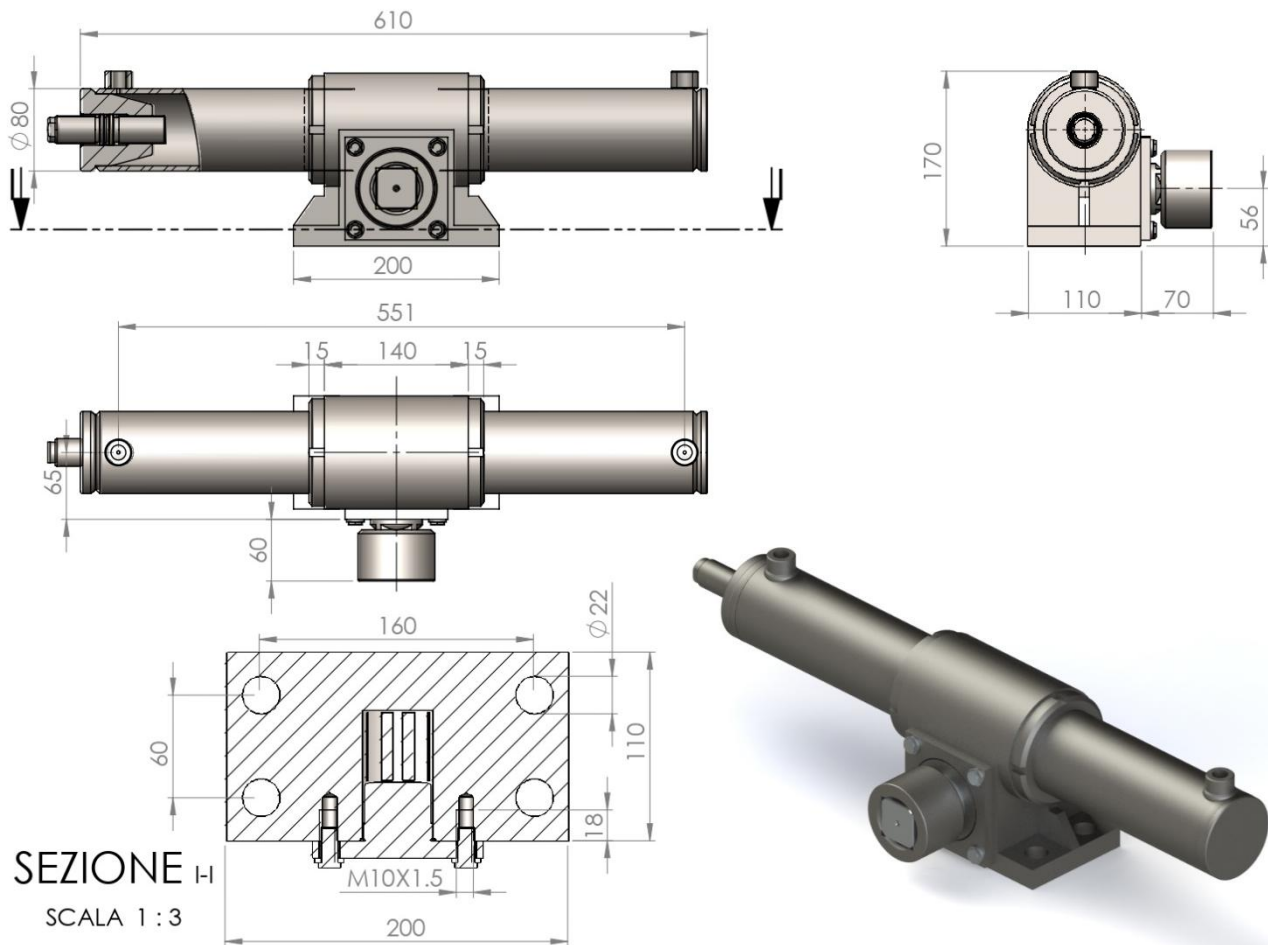
Technical specifications

| | |
|-------------------------------|-------|
| Bore [mm] | 70 |
| Specific stroke [mm] (1) | 0,76 |
| Maximum working torque [daNm] | 226,2 |
| Work pressure [bar] | 110 |
| Safety pressure [bar] | 150 |
| Safety factor required | 3 |
| Max rotation speed [rad/sec] | 12,5 |
| Weight [kg] | 27,5 |

(1) Specific stroke for each degree of rotation.

| CODICE GUARNIZIONE Seal code | VELOCITA' MAX [m/s] Max speed [m/s] | TEMPERATURA [°c] Temperature [°c] | | MATERIALE Material |
|---------------------------------|--|--------------------------------------|------|-----------------------|
| | | Min. | Max. | |
| FE 70 | 1 | -40 | +110 | POM |
| UP 60/70/12 | 0.5 | -40 | +110 | TPU |
| OR 043 | - | -30 | +130 | NBR |

HCAR Cilindro attuatore a cremagliera regolabile(155/190°) Adjustable rack actuator cylinder (155/190°)



Specifiche tecniche

| | |
|-------------------------------------|-------|
| Alesaggio [mm] | 70 |
| Corsa specifica [mm] (1) | 0,76 |
| Coppia massima di lavoro [daNm] | 226,2 |
| Pressione di lavoro [bar] | 110 |
| Pressione di punta [bar] | 150 |
| Coefficiente di sicurezza richiesto | 3 |
| Velocità max di rotazione [rad/sec] | 12,5 |
| Peso [kg] | 27,5 |

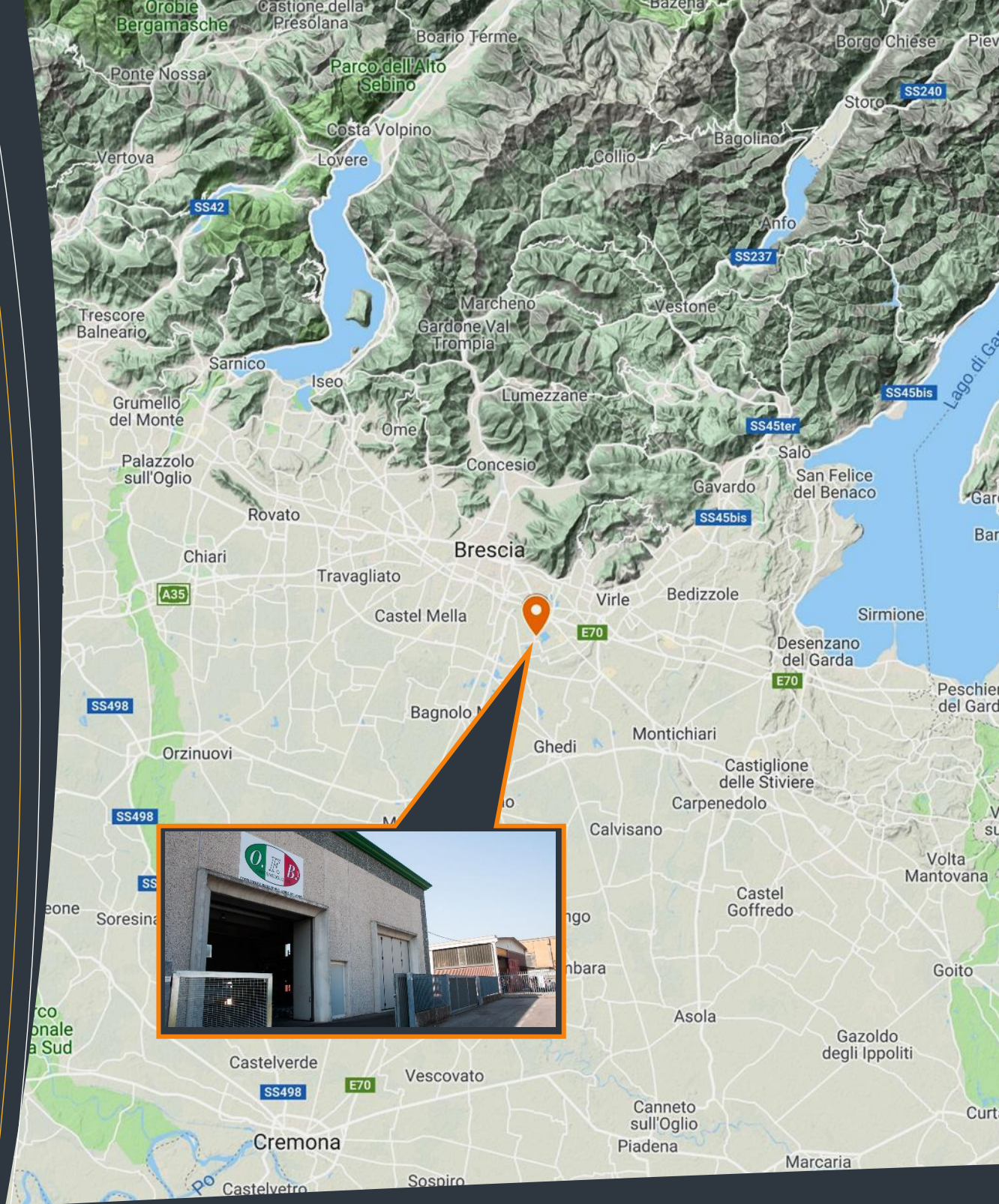
(1) Corsa specifica per ogni grado di rotazione.

Technical specifications

| | |
|-------------------------------|-------|
| Bore [mm] | 70 |
| Specific stroke [mm] (1) | 0,76 |
| Maximum working torque [daNm] | 226,2 |
| Work pressure [bar] | 110 |
| Safety pressure [bar] | 150 |
| Safety factor required | 3 |
| Max rotation speed [rad/sec] | 12,5 |
| Weight [kg] | 27,5 |

(1) Specific stroke for each degree of rotation.

| CODICE GUARNIZIONE Seal code | VELOCITA' MAX [m/s] Max speed [m/s] | TEMPERATURA [°c] Temperature [°c] | | MATERIALE Material |
|---------------------------------|--|--------------------------------------|------|-----------------------|
| | | Min. | Max. | |
| FE 70 | 1 | -40 | +110 | POM |
| UP 60/70/12 | 0.5 | -40 | +110 | TPU |
| OR 043 | - | -30 | +130 | NBR |



O.F.B. srl dei Fratelli Bianchini

Via Dei Santi, 145 25014 Castenedolo

Tel: +39 0302702962

Fax: +39 0302500924

Mail: info@ofbcilindri.com

www.ofbcilindri.com

C.F. e P.I.: 03069200982